

## Technical Data Sheet V 76x3,6

### Basic Info

KSF V 76x3,6x 2000-PT	KSF V 76x3,6x 1500 -PT	KSF V 76x3,6x 1500-EH	KSF V 76x3,6x 1500-ET	KSF V 76x3,6x 1500-E	KSF V 76x3,6x 860-E	KSF V 76x3,6x M16
Nominal length (mm)						
2000	1500	1500	1500	1500	860	300
Tube diameter (mm)						
76	76	76	76	76	76	76
Weight (kg)						
14	11	12	10	10	5	4
Steel grade (tube)						
S 235	S 235	S 235	S 235	S 235	S 235	S 235
Item number						
25656	25655	25658	25657	25659	25660	25672

### Construction

- Continuous welded helix
- Average cink layer thickness 70 µm according to DIN EN ISO 1461
- Extra hard Hardox drive point
- 2,5-mm-helix

### Accessories



Connection Screw Set 4 pcs.  
0,35 kg  
Item No. 25654



KSF V  
76x3,6xM16



KSF V  
76x3,6x2000-PT



KSF V  
76x3,6x1500-ET

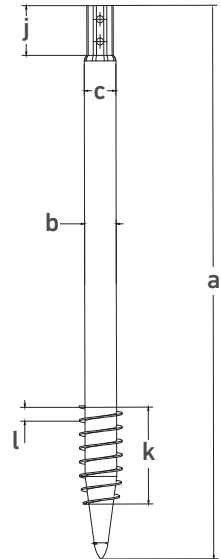
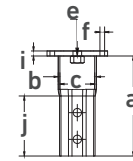
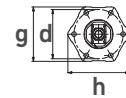


KSF V  
76x3,6x1500-EH



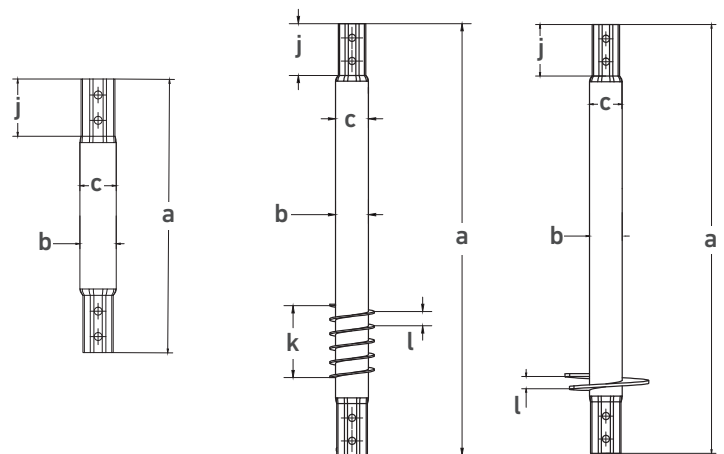
KSF V  
76x3,6x860-E





## Technical Data

	KSF V 76x3,6x 2000-PT	KSF V 76x3,6x 1500-PT	KSV F 76x3,6x 1500-EH	KSF V 76x3,6x 1500-ET	KSF V 76x3,6x 1500-E	KSF V 76x3,6x 860-E	KSF V 76x3,6x M16
a	Length (mm)						
	2000	1500	1500	1500	1500	860	300
b	Outer diameter (mm)						
	76	76	76	76	76	76	76
c	Inner diameter (mm)						
	69	69	69	69	69	69	69
d	Pitch circle diameter (mm)						
	-	-	-	-	-	-	150
e	Central thread						
	-	-	-	-	-	-	M16
f	Pitch circle holes (mm)						
	-	-	-	-	-	-	6 x Ø 14
g	Flange wrench size (mm)						
	-	-	-	-	-	-	160
h	Flange outer diameter (mm)						
	-	-	-	-	-	-	182
i	Flange thickness (mm)						
	-	-	-	-	-	-	10
j	Octagon connection height (mm)						
	180	180	180	180	180	180	180
k	Thread length (mm)						
	550	550	-	500	-	-	-
l	Thread pitch (mm)						
	50	50	50	50	-	-	-



Subject to technical change! Schematic representation!

**Krinner Schraubfundamente GmbH** | Passauer Straße 55 | D-94342 Straßkirchen  
 Phone: +49 9424 9401-80 | E-Mail: service@krinner.com | www.krinner.io