

Technical Data Sheet V 89x5

Basic Info

KSF V 89x5x 2000-PT	KSF V 89x5x 1500 -PT	KSF V 89x5x 1500-EH	KSF V 89x5x 1500-ET	KSF V 89x5x 1500-E	KSF V 89x5x 860-E	KSF V 89x5x M24
Nominal length (mm)						
2000	1500	1500	1500	1500	860	300
Tube diameter (mm)						
89	89	89	89	89	89	89
Weight (kg)						
23	18	12	10	10	5	4
Steel grade (tube)						
S 235	S 235	S 235	S 235	S 235	S 235	S 235
Item number						
25631	25630	25632	25633	25634	25635	25673



KSF V
89x5xM24



KSF V
89x5x2000-PT

Construction

- Flange: Sheet metal S 355
- Continuous welded helix
- Average cink layer thickness 100 µm according to DIN EN ISO 1461
- Extra hard Hardox drive point
- Extra thick 5-mm-helix

Accessories



Connection Screw Set 4 pcs.
1,14 kg
Item No. 25637



KSF V
89x5x1500-ET

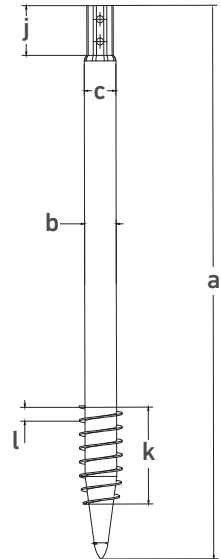
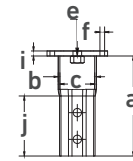
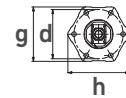


KSF V
89x5x1500-EH



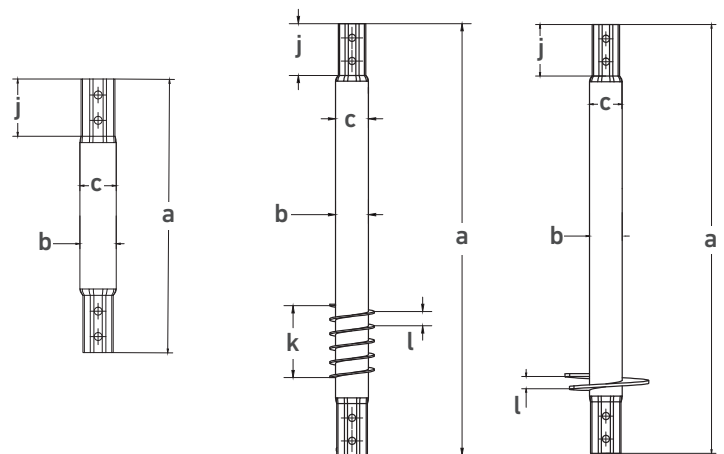
KSF V
89x5x860-E





Technical Data

	KSF V 89x5x 2000-PT	KSF V 89x5x 1500-PT	KSV F 89x5x 1500-EH	KSF V 89x5x 1500-ET	KSF V 89x5x 1500-E	KSF V 89x5x 860-E	KSF V 89x5x M24
a	Length (mm)						
	2000	1500	1500	1500	1500	860	300
b	Outer diameter (mm)						
	89	89	89	89	89	89	89
c	Inner diameter (mm)						
	79	79	79	79	79	79	79
d	Pitch circle diameter (mm)						
	-	-	-	-	-	-	150
e	Central thread						
	-	-	-	-	-	-	M24
f	Pitch circle holes (mm)						
	-	-	-	-	-	-	6 x Ø 14
g	Flange wrench size (mm)						
	-	-	-	-	-	-	166
h	Flange outer diameter (mm)						
	-	-	-	-	-	-	182
i	Flange thickness (mm)						
	-	-	-	-	-	-	15
j	Octagon connection height (mm)						
	180	180	180	180	180	180	180
k	Thread length (mm)						
	450	450	-	250	-	-	-
l	Thread pitch (mm)						
	50	50	50	50	-	-	-



Subject to technical change! Schematic representation!

Krinner Schraubfundamente GmbH | Passauer Straße 55 | D-94342 Straßkirchen
Phone: +49 9424 9401-80 | E-Mail: service@krinner.com | www.krinner.io