

Technical Data sheet V 114x5

Basic Info

KSF V 114x5x 2000-PT	KSF V 114x5x 1500 -ET	KSF V 114x5x 1500-EH	KSF V 114x5x 860-E	KSF V 114x5x M24
----------------------------	-----------------------------	----------------------------	--------------------------	------------------------

Nominal length (mm)

2000	1500	1500	860	300
------	------	------	-----	-----

Tube diameter (mm)

114	114	114	114	114
-----	-----	-----	-----	-----

Weight (kg)

29	22	24	11	7
----	----	----	----	---

Steel grade (tube)

S 235	S 235	S 235	S 235	S 235
-------	-------	-------	-------	-------

Item number

25611	25613	25612	25614	25674
-------	-------	-------	-------	-------

Construction

- Flange: Sheet metal S 355
- Continuous welded helix
- Average cink layer thickness 100 µm according to DIN EN ISO 1461
- Extra hard Hardox drive point
- Extra thick 5-mm-helix

Accessories



Connection Screw Set 4 pcs.

1,14 kg

Item No. 25605



KSF V
114x5xM24



KSF V
114x5x2000-PT



KSF V
114x5x1500-ET



KSF V
114x5x1500-EH



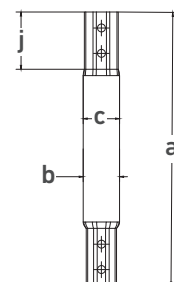
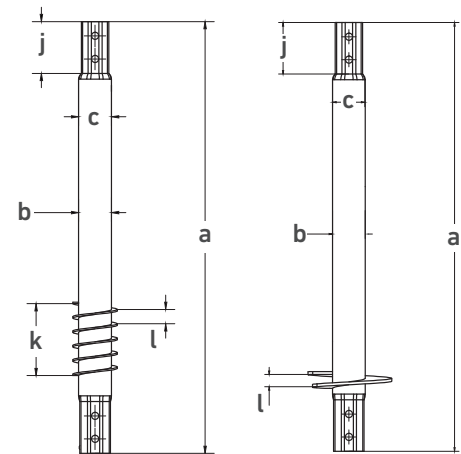
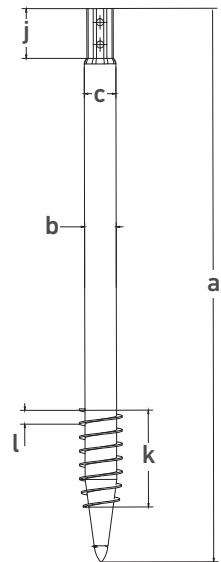
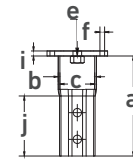
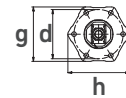
KSF V
114x5x860-E



Subject to technical change! Schematic representation!

Krinner Schraubfundamente GmbH | Passauer Straße 55 | D-94342 Straßkirchen
Phone: +49 9424 9401-80 | E-Mail: service@krinner.com | www.krinner.io

sustainable · durable · revolutionary



Technical Data

	KSF V 114x5x 2000-PT	KSF V 114x5x 1500-ET	KSF V 114x5x 1500-EH	KSF V 114x5x 860-E	KSF V 114x5x M24
a	Length (mm)				
	2000	1500	1500	860	300
b	Outer diameter (mm)				
	114	114	114	114	114
c	Inner diameter (mm)				
	104	104	104	104	104
d	Pitch circle diameter (mm)				
	-	-	-	-	150
e	Central thread				
	-	-	-	-	M24
f	Pitch circle holes (mm)				
	-	-	-	-	6 x Ø 14
g	Flange wrench size (mm)				
	-	-	-	-	166
h	Flange outer diameter (mm)				
	-	-	-	-	182
i	Flange thickness (mm)				
	-	-	-	-	15
j	Octagon connection height (mm)				
	180	180	180	180	180
k	Thread length (mm)				
	350	250	-	-	-
l	Thread pitch (mm)				
	50	50	50	-	-

Subject to technical change! Schematic representation!