

Technical Data Sheet G Serie

Basic Info

KSFG114x1300-4xM16 KSFG114x1000-4xM16

Nominal length (mm)

1300 1000

Tube diameter (mm)

114,30 114,30

Weight (kg)

11,00 8,50

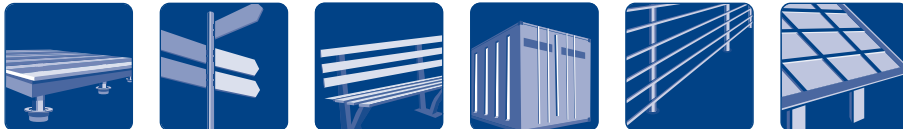
Item number

24209 24208

Construction

- Nut: DIN EN ISO 4032-8
- Continuous welded helix
- Coating: Hot-dip galvanized according to DIN EN ISO 1461

Applications



Accessories



Special Granulate
1500 g
Item No. 21824



Special Granulate
500 g
Item No. 21823



Screwing Bar long
2400 g
Item No. 24805



KSFG 114x
1300-4xM16



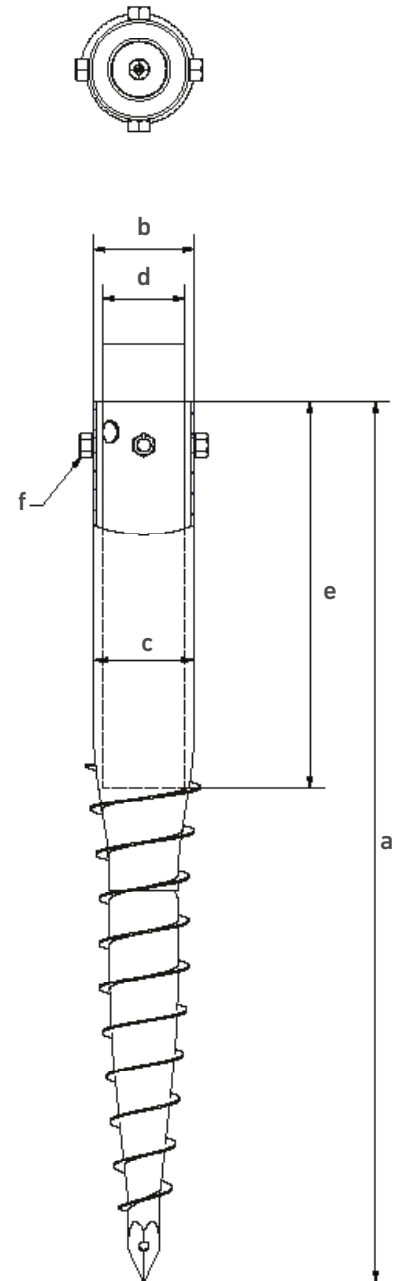
Subject to technical change!

Krinner Schraubfundamente GmbH | Passauer Straße 55 | D-94342 Straßkirchen
Phone: +49 9424 9401-80 | E-Mail: service@krinner.com | www.krinner.io

sustainable · durable · revolutionary

Technical Data

KSFG114x1300-4xM16		KSFG114x1000-4xM16	
a	Length (mm) (± 25 mm)	1300	990
b	Shaft outer diameter (mm)	114,30	114,30
c	Inner diameter (mm)	107,10	107,10
d	Diameter setting (mm)	100 90 80 76	100 90 80 76
e	Depth setting (mm) (± 25 mm)	490 540 570 590	350 400 440 460
f	Thread	4 x M16	4 x M16



Subject to technical change!

Krinner Schraubfundamente GmbH | Passauer Straße 55 | D-94342 Straßkirchen
 Phone: +49 9424 9401-80 | E-Mail: service@krinner.com | www.krinner.io