

Technical Data Sheet M-Series

Basic Info

KSF M	KSF M	KSF M
89x2100-M24	89x1600-M24	89x1300-M24
Nominal length (mm)		
2100	1600	1300
Tube diameter (mm)		
88,90	88,90	88,90
Weight (kg)		
18	14	12
Item number		
24219	24218	24217

Construction

- Flange: Sheet metal S355
- Coating: Hot-dip galvanized according to DIN EN ISO 1461
- Continuous welded helix

Applications

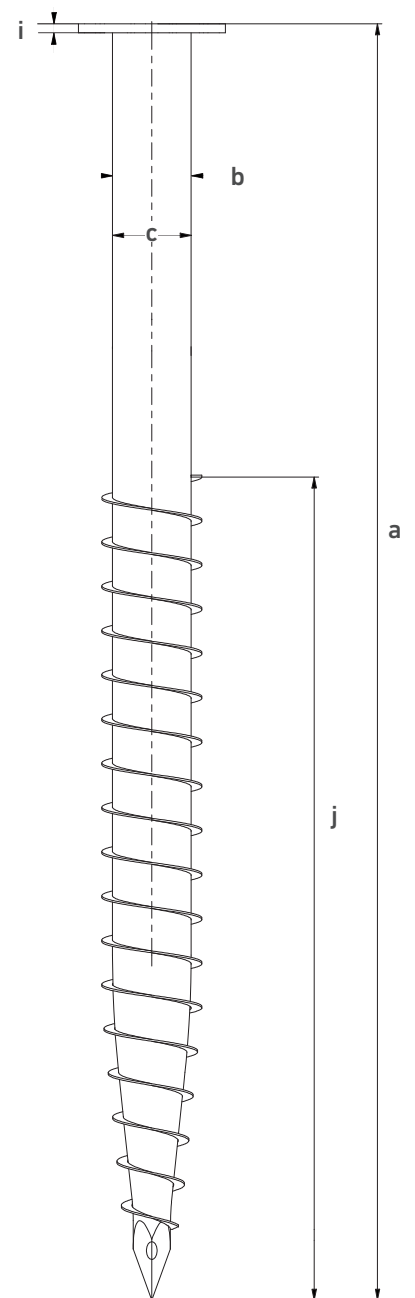
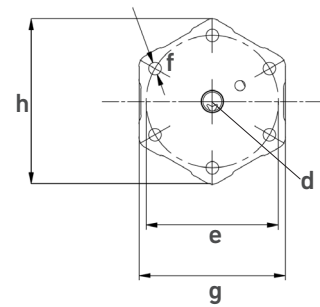


KSF M
89x1600-M24



Technical Data

	KSF M 89x2100-M24	KSF M 89x1600-M24	KSF M 89x1300-M24
a	Length (mm) (± 25 mm)		
	2080	1580	1280
b	Shaft outer diameter (mm)		
	88,90	88,90	88,90
c	Inner diameter (mm)		
	81,70	81,70	81,70
d	Thread		
	M24	M24	M24
e	Pitch circle diameter (mm)		
	150	150	150
f	Pitch circle holes (mm)		
	6 x \varnothing 14	6 x \varnothing 14	6 x \varnothing 14
g	Flange wrench size (mm)		
	166	166	166
h	Flange outer diameter (mm)		
	182	182	182
i	Flange thickness (mm)		
	10	10	10
j	Thread length (mm)		
	1230	930	830



Subject to technical change! Schematic representation!

Krinner Schraubfundamente GmbH | Passauer Straße 55 | D-94342 Straßkirchen
Phone: +49 9424 9401-80 | E-Mail: service@krinner.com | www.krinner.io